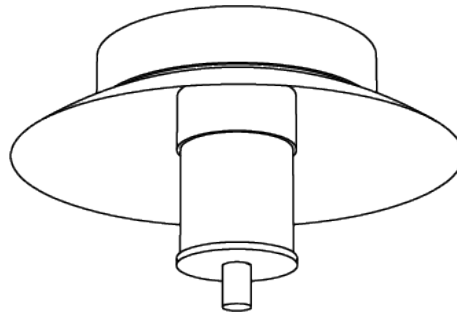




2440 Merced Ave, South El Monte, CA 91733
 info@studioendo.com
 www.studioendo.com
 (213) 507-9101



CUPOLA FLUSH MOUNT 08 (CU08-FM)

LED Pendant

FIXTURE DIMENSIONS:

L8" x W12" x H4.5"

CANOPY DIMENSIONS:

L6" x W6" x H1"

2.75" x 3.5" J-Box Mounting Hole Pattern

FIXTURE WEIGHT:

3lbs

CERTIFICATION:

Suitable for damp locations



ELECTRICAL:

Input: 110-120v AC

Wattage: 1W

Dimming: TRIAC/Forward Phase
 Compatible

ILLUMINATION:

Luminosity: 108 Lumen Source

CRI: 90+

COLOR TEMPERATURE:

2700K, 3000K

SHADE IN

POWDER-COAT FINISH:

- | | |
|--------------|-----------------|
| Coastal Blue | Metallic Brass |
| Terra Cotta | Metallic Bronze |
| Crimson Red | Metallic Grey |
| Sage Green | |
| Satin Black | |
| Satin White | |

HARDWARE

- Lacquered Brass
- Oil Rubbed Bronze